

State of Wyoming Corner Record

(In compliance with the CORNER PERPETUATION AND FILING ACT, Wyoming Statutes, 2013 Section 33-29-901 through 33-29-910, and the Rules and Regulations of the Board of Professional Engineers and Professional Land Surveyors)

Reverse side of this form may be used if more space is needed.

Record of original survey and citation of source of historical information (if corner is lost or obliterated). Description of corner monumentation evidence found and/or monument and accessories established to perpetuate the location of this corner. Sketch of relative location of monument, accessories, and reference points with course and distance to adjacent corner(s) (if determined in this survey). Method and rationale for reestablishment of lost or obliterated corner.

METHOD FOR REESTABLISHMENT OF LOST CORNER: Not applicable.

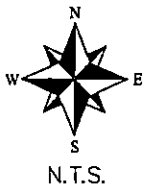
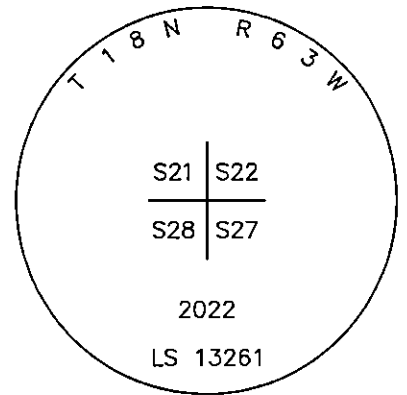
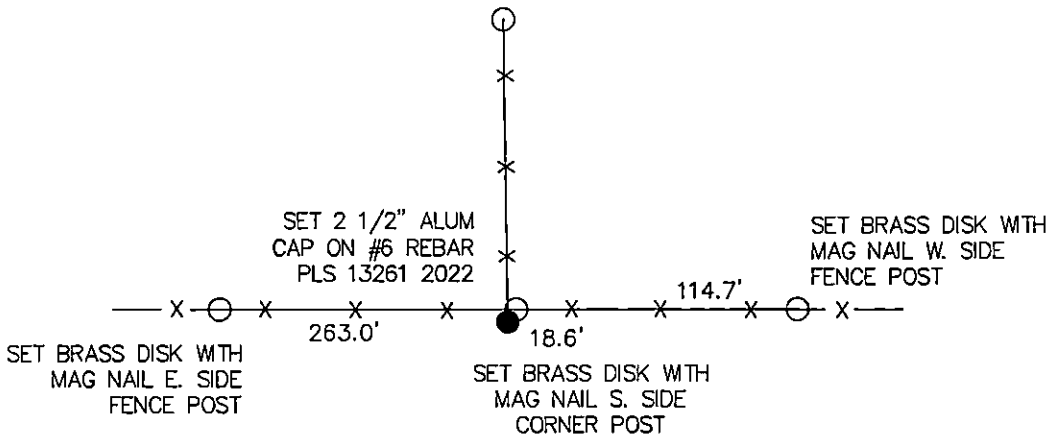
ORIGINAL GLO RECORD: Sandstone 16"x12"x4" marked with 2 notches on S. side and with 3 notches on E. side

MONUMENT FOUND: Found remains of broken stone

MONUMENT SET: 2 1/2" Aluminum Cap on a #6 Rebar, three (3) inches above ground, stacked stones around monument.

REFERENCES: Set References as shown below.

All dimensions are in US Survey Feet



Monument Inscription

Date of Field Work: 9/26/2022

Office Reference: 1903-016

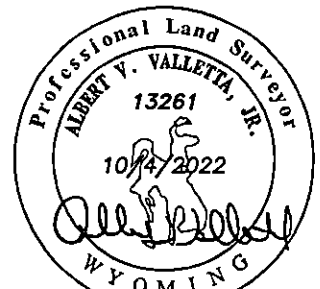
Cross Index Plat

	1	2	3	4	5	6	7	8	9	10	11	12	13	14	15	16	17	18	19	20	21	22	23	24	25	
A	+	+	+	+	+	+	+	+	+	+	+	+	+	+	+	+	+	+	+	+	+	+	+	+	+	A
B	+	+	+	+	+	+	+	+	+	+	+	+	+	+	+	+	+	+	+	+	+	+	+	+	+	B
C	+	6	+	5	+	+	+	+	+	+	+	+	+	+	+	+	+	+	+	+	+	+	+	+	+	C
D	+	+	+	+	+	+	+	+	+	+	+	+	+	+	+	+	+	+	+	+	+	+	+	+	+	D
E	+	+	+	+	+	+	+	+	+	+	+	+	+	+	+	+	+	+	+	+	+	+	+	+	+	E
F	+	+	+	+	+	+	+	+	+	+	+	+	+	+	+	+	+	+	+	+	+	+	+	+	+	F
G	+	7	+	8	+	+	+	+	+	+	+	+	+	+	+	+	+	+	+	+	+	+	+	+	+	G
H	+	+	+	+	+	+	+	+	+	+	+	+	+	+	+	+	+	+	+	+	+	+	+	+	+	H
J	+	+	+	+	+	+	+	+	+	+	+	+	+	+	+	+	+	+	+	+	+	+	+	+	+	J
K	+	+	+	+	+	+	+	+	+	+	+	+	+	+	+	+	+	+	+	+	+	+	+	+	+	K
L	+	18	+	17	+	+	+	+	+	+	+	+	+	+	+	+	+	+	+	+	+	+	+	+	+	L
M	+	+	+	+	+	+	+	+	+	+	+	+	+	+	+	+	+	+	+	+	+	+	+	+	+	M
N	+	+	+	+	+	+	+	+	+	+	+	+	+	+	+	+	+	+	+	+	+	+	+	+	+	N
O	+	+	+	+	+	+	+	+	+	+	+	+	+	+	+	+	+	+	+	+	+	+	+	+	+	O
P	+	19	+	20	+	+	+	+	+	+	+	+	+	+	+	+	+	+	+	+	+	+	+	+	+	P
Q	+	+	+	+	+	+	+	+	+	+	+	+	+	+	+	+	+	+	+	+	+	+	+	+	+	Q
R	+	+	+	+	+	+	+	+	+	+	+	+	+	+	+	+	+	+	+	+	+	+	+	+	+	R
S	+	+	+	+	+	+	+	+	+	+	+	+	+	+	+	+	+	+	+	+	+	+	+	+	+	S
T	+	30	+	29	+	+	+	+	+	+	+	+	+	+	+	+	+	+	+	+	+	+	+	+	+	T
U	+	+	+	+	+	+	+	+	+	+	+	+	+	+	+	+	+	+	+	+	+	+	+	+	+	U
V	+	+	+	+	+	+	+	+	+	+	+	+	+	+	+	+	+	+	+	+	+	+	+	+	+	V
W	+	+	+	+	+	+	+	+	+	+	+	+	+	+	+	+	+	+	+	+	+	+	+	+	+	W
X	+	31	+	32	+	+	+	+	+	+	+	+	+	+	+	+	+	+	+	+	+	+	+	+	+	X
Y	+	+	+	+	+	+	+	+	+	+	+	+	+	+	+	+	+	+	+	+	+	+	+	+	+	Y
Z	+	+	+	+	+	+	+	+	+	+	+	+	+	+	+	+	+	+	+	+	+	+	+	+	+	Z
	1	2	3	4	5	6	7	8	9	10	11	12	13	14	15	16	17	18	19	20	21	22	23	24	25	

Firm/Agency, Address
 DALEY LAND SURVEYING, INC.
 17011 LINCOLN AVE., #361
 PARKER, CO 80134
 (303) 953-9841

This corner record was prepared by me or under my direction and supervision.

SEAL & SIGNATURE



FOR AND ON BEHALF OF
 DALEY LAND SURVEYING INC.,
 ALBERT V. VALLETTA, JR., PLS 13261



RECP #: 849641
 RECORDED 12/27/2022 AT 11:17 AM BK# 2817 PG# 580
 Debra K. Lee, CLERK OF LARAMIE COUNTY, WY PAGE 2 OF 2

Corner Name Northwest Corner Section 27, T 18 N, R 63 W, 6th P.M.

Cross-Index No.: R-13

County: LARAMIE